

INDOOR EXTINGUISHANT SYSTEM ANCILLARIES



Extinguishant Abort Switch
CP150ALB



Resettable Extinguishant Release Call Point
CP100RLR



Extinguishant Hold Off Switch
CP200HLB

DESCRIPTION

Context Plus' indoor system activation devices are designed with ease of installation in mind. Suitable for open circuit system, they are made from tough ABS plastic and come standard with hinged protective cover.

CP100RL Resettable Extinguishant Release Call Point's simple 'RESET' mechanism consists of ABS plastic operating elements that simulates break glass activation which is instantly reusable with no glass elements to break, lose or incorrectly fit when installing.

CP150ALB Extinguishant Abort Switch's shrouded push button design helps prevent inadvertent operation during the cancellation of extinguishant release sequence.

CP200HLB Extinguishant Hold Off Switch's raised push button design is good for quick positive operation or momentary actuation when delaying the imminent suppression agent's release.

CP ADVANTAGES

- Transparent Polycarbonate lift-up protection cover.
- Suitable for surface or flush mounting.
- Thread protection plugs are provided to protect the brass inserts on the base box (when conceal fixing is needed).
- 3/4" Ø preopened conduit entries from top, bottom and the back are provided for extra convenience.
- Colour matching polythene plugs for conduit entries are included.

SPECIFICATIONS

Size (H x W x D)	88 X 88 X 55 mm (Surface Mount) 88 X 88 X 20 mm (Flush Mount)
Current Ratings	1 Amp@240V AC 2 Amps@24V DC
Net/Gross Weight	128/153g (CP100RL) 130/155g (CP150ALB) 127/152g (CP200HLB)
Connections	TERMINAL-MAX 2.5mm ² CABLE
Protection Rating	IP24D

Specifications are subject to change without prior notice.

OPTIONAL FEATURES

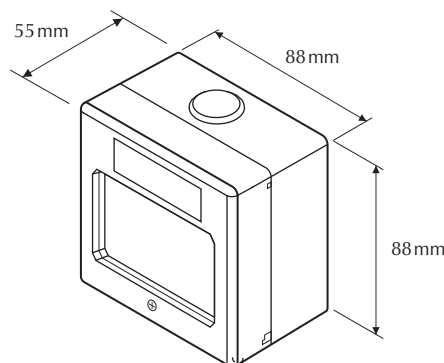
- Super-bright LED.
- Monitoring resistor.
- Blocking diode.
- Specific languages or custom imprints available on facial layout upon request.
- Casing available in different colours.



RANGE OF CASING COLOURS
White, Yellow, Green, Red, Blue



HINGED COVER
(Pack 20)
CP500/550/C



LED Single Strobe Light
CP350ER

DESCRIPTION

Context Plus' LED Single Strobe Light **CP350ER** is compactly designed and ideal for use on existing alarm systems due to its high intensity of illumination at very low current consumption.

CP ADVANTAGES

- Red Fresnel lens for maximum light output.
- High-grade Polycarbonate lens and base offer excellent impact and heat resistant.
- Reduced need for additional battery back-up.

SPECIFICATIONS

Size (Ø x D)	82 X 55 mm
Operating Voltage	12V DC 24V DC
Operating Current	30mA
Input Power	2 Watt
Flashing Rate	90 Flash per sec@12V 120 Flash per sec@24V
Net/Gross Weight	67/86g

Specifications are subject to change without prior notice.

OPTIONAL FEATURES

- Lens available in different colours.



RANGE OF LENS COLOURS
Red, Green, Clear, Amber, Blue

Context Plus

Context Plus Limited

175, Mauldeth Road,
Manchester, M14 6SG,
United Kingdom

Tel: +44 (0)161 257 2541

Fax: +44 (0) 161 225 8817

Email: contextplus@xportsales.com